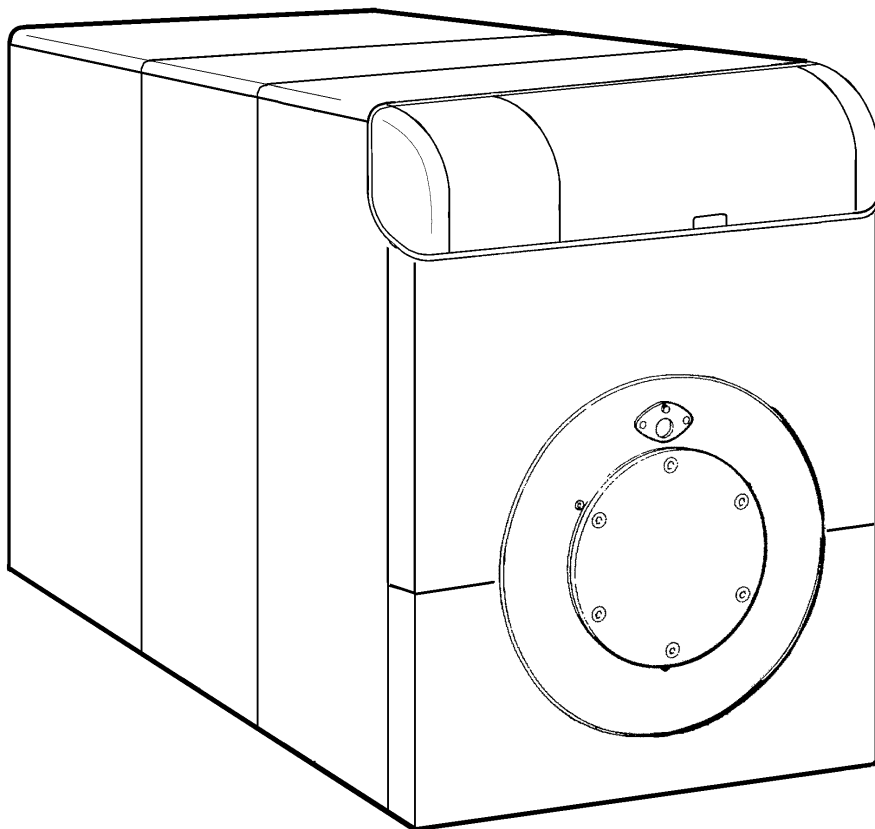


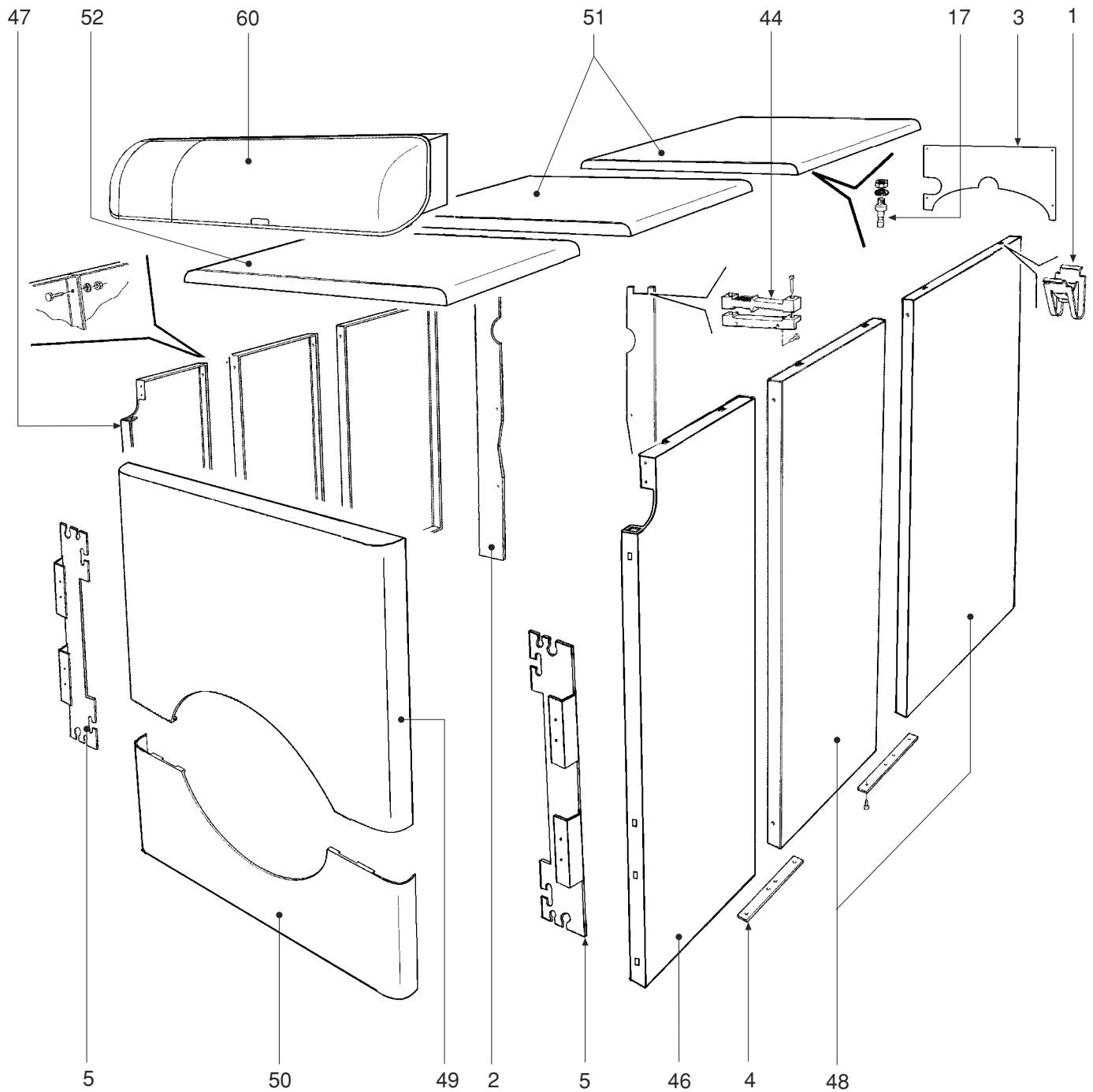
FERROLI

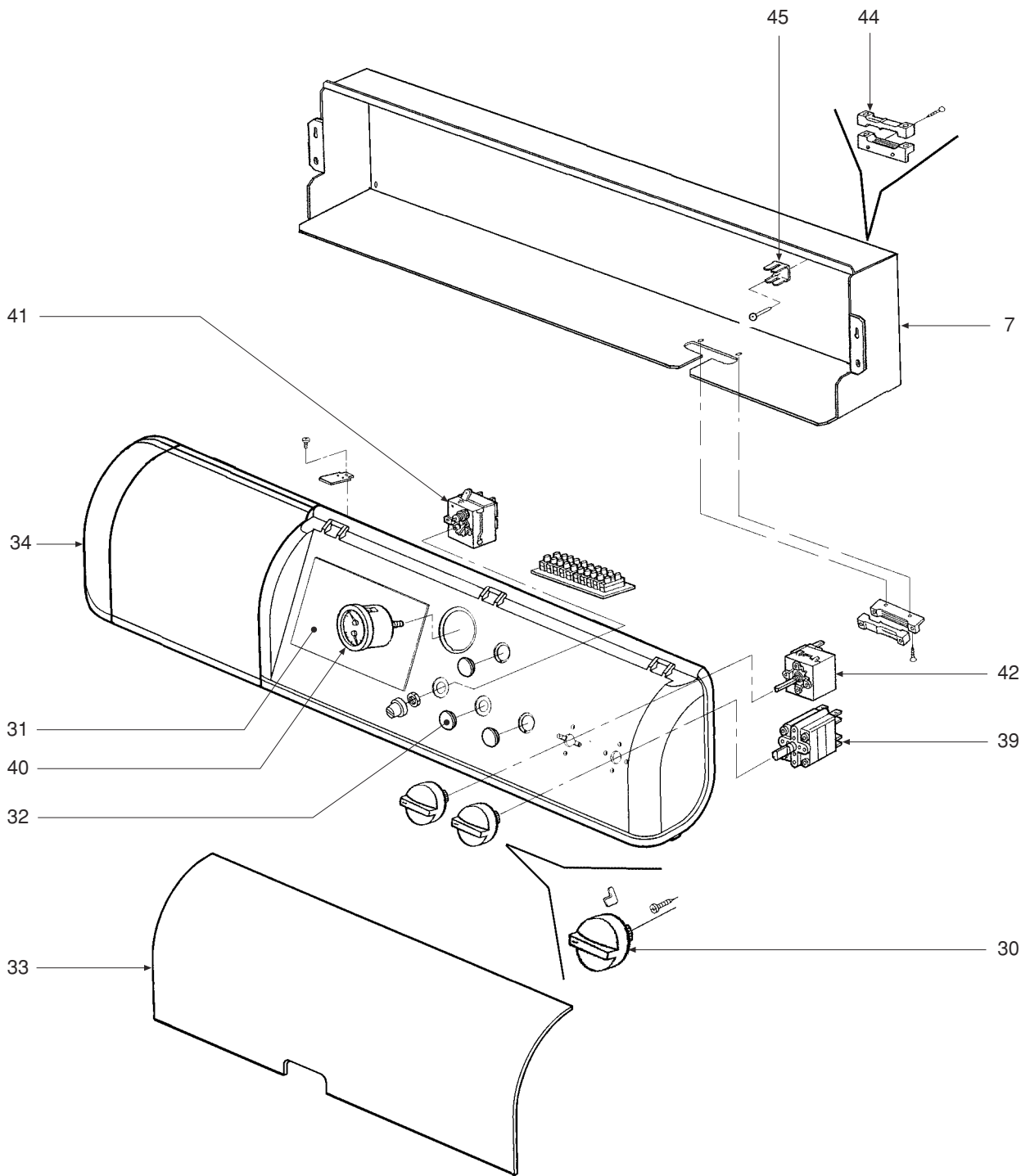
GN4 N

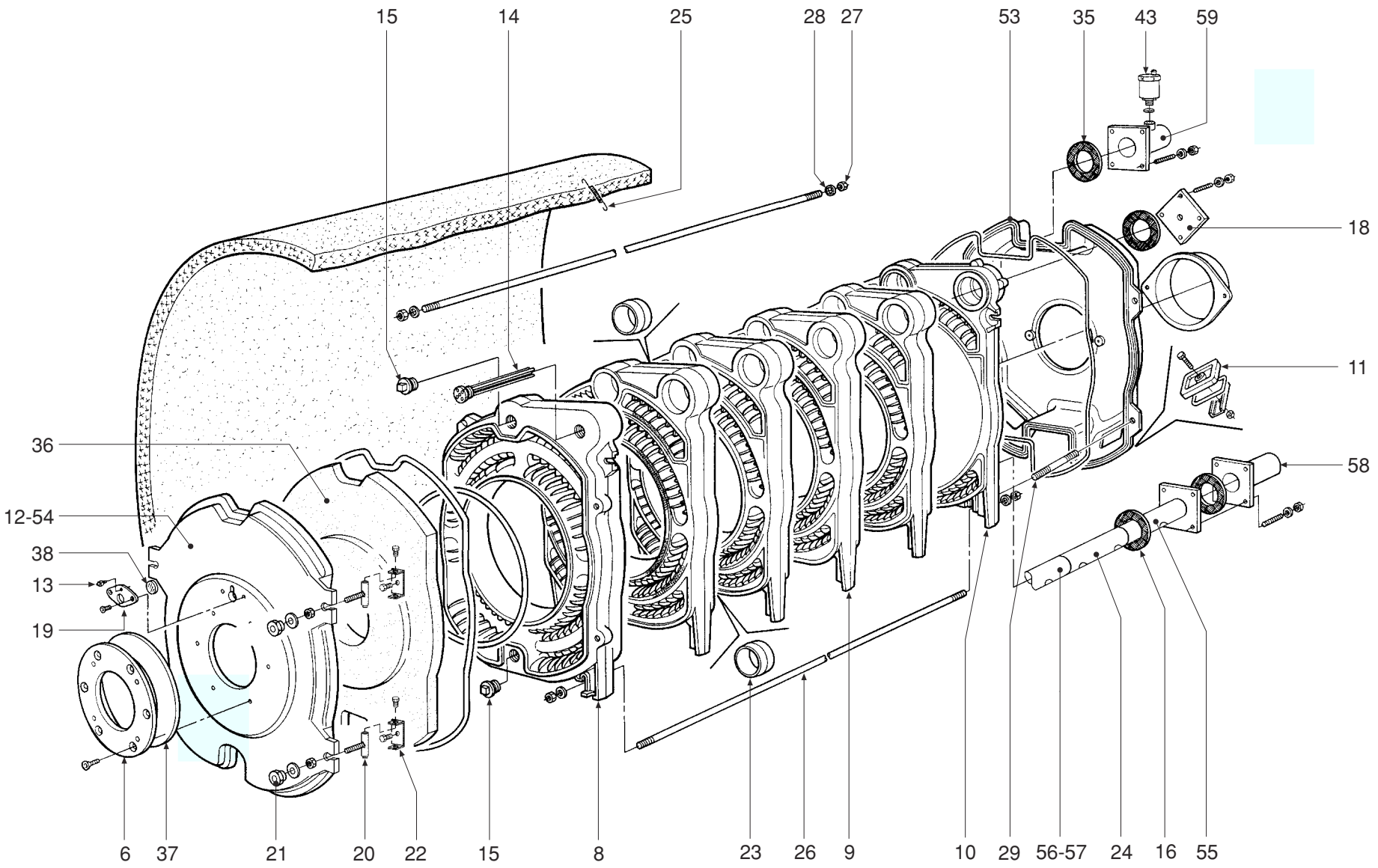
- LISTA PEZZI DI RICAMBIO
- SPARE PART LIST
- ERSATZSTEILE
- LIJST ONDERDELEN
- LISTE PIECES DETACHES
- LISTA PIEZAS DE REPUESTO



CODICE	EDIZIONE	MERCATO	VISTO
30R0574/0	06 - 02	UN







POS.	CODE	DESCRIPTION	7 el.	8 el.	9 el.	10 el.	11 el.	12 el.	13 el.	14 el.
1	31000210	Pin coupling spring
2	31142030	Casing support plate
3	31142040	Rear wall
4	31207470	Bracket, side panel fixing
5	31214100	Bracket, side panel
6	32117360	Flange
7	32914710	Wiring protection plate
8	33005680	Front element, finished
9	33005690	Intermediate element, finished
10	33005700	Rear element, finished
11	33100900	Smoke box door
12	33202521	Burner door
13	33400280	Pressure test point, 18" M conical fitting
14	33400811	Sheath
15	33601320	Plug, 1" 1/4
16	33700860	Gasket
17	34000640	Pin for coupling
18	34011560	Blind flange
19	34011740	Inspection windows flange
20	34012390	Pin for door hinges
21	34012401	Ring nut
22	34100630	Door hinge
23	34223441	Cone insert Øe 100,22 Øi 91,5 L=45
24	34224060	Intermediate diffuser pipe
25	34300220	Insulation fixing spring
26	34403390	Tie rod, M16 x 910
26	34403400	Tie rod, M16 x 1040
26	34403410	Tie rod, M16 x 1170
26	34403420	Tie rod, M16 x 1300
26	34403430	Tie rod, M16 x 1430
26	34403440	Tie rod, M16 x 1560
26	34403450	Tie rod, M16 x 1690
26	34403460	Tie rod, M16 x 1820
27	34504930	Nut, M16
28	34504940	Spring
29	34505830	Threaded bar, M12 x 130
30	35008000	Control panel instruments knob
31	35008010	Control unit hole plug
32	35008190	Hole plug
33	35008720	Control panel cover
34	35008910	Control panel
35	35100180	Gasket for flange
36	35320880	Burner door insulation
37	35352910	Ceramic fibre gasket
38	35352930	Disk, Ø 44
39	36100440	Double-pole switch
40	36400250	Thermometer
41	36401450	Thermostat LS1 capillary 1500 110°

POS.	CODE	DESCRIPTION	7 el.	8 el.	9 el.	10 el.	11 el.	12 el.	13 el.	14 el.
42	36401880	2-stage regulating thermostat	•	•	•	•	•	•	•	•
43	36401930	Water pressure switch, 1/4"	•	•	•	•	•	•	•	•
44	36503631	Dual cable clamp	•	•	•	•	•	•	•	•
45	36505720	four-tab earthing rivet	•	•	•	•	•	•	•	•
46	37038120	Front right side panel, complete	•	•	•	•	•	•	•	•
47	37038130	Front left side panel, complete	•	•	•	•	•	•	•	•
48	37038140	Reversible side panel (L. 406)		•	•				•	
48	37038150	Reversible side panel (L. 536)			•	•	•		•	•
48	37038160	Reversible side panel (L. 666)	•				•	•		
49	37038170	Top front panel	•	•	•	•	•	•	•	•
50	37038180	Bottom front panel,	•	•	•	•	•	•	•	•
51	37038190	Cover (L. 406)		•	•				•	
51	37038200	Cover (L. 536)			•	•	•		•	•
51	37038210	Cover (L. 666)	•				•	•		
52	37038220	Front cover	•	•	•	•	•	•	•	•
53	38007040	Complete smoke box	•	•						
53	38007050	Complete smoke box			•	•	•	•	•	•
54	38007090	Burner door, complete	•	•	•	•	•	•	•	•
55	38407600	Front diffuser pipe	•	•	•	•	•	•	•	•
56	38407610	Diffuser pipework L 352,5		•		•		•		•
57	38407620	Diffuser pipework L 482,5	•		•		•		•	
58	38443661	Flanged pipe	•	•	•	•	•	•	•	•
59	38447631	Flanged pipe + Sleeve	•	•	•	•	•	•	•	•
60	38515050	Wiring, complete set	•	•	•					
60	38515020	Wiring, complete set				•	•	•	•	•

POS.	CODICE	DESCRIZIONE	7 el.	8 el.	9 el.	10 el.	11 el.	12 el.	13 el.	14 el.
1	31000210	Molletta innesto piolini
2	31142030	Lamiera posteriore sostegno mantellatura
3	31142040	Parete posteriore
4	31207470	Staffa fissaggio fianchi
5	31214100	Staffa sostegno fianchi
6	32117360	Flangia
7	32914710	Lamiera protezione cablaggio
8	33005680	Elemento anteriore finito
9	33005690	Elemento intermedio finito
10	33005700	Elemento posteriore finito
11	33100900	Portellino camera fumo
12	33202521	Porta bruciatore
13	33400280	Presa di pressione attacco conico 18" M
14	33400811	Guaina
15	33601320	Tappo 1" 1/4
16	33700860	Guarnizione
17	34000640	Piolino per innesto
18	34011560	Flangia cieca
19	34011740	Flangia oblò
20	34012390	Perno per cerniere porte
21	34012401	Ghiera
22	34100630	Cerniera per porta
23	34223441	Bicono Øe 100,22 Øi 91,5 L=45
24	34224060	Tubo diffusore "intermedio"
25	34300220	Molla fissaggio isolante
26	34403390	Tirante M16 x 910
26	34403400	Tirante M16 x 1040
26	34403410	Tirante M16 x 1170
26	34403420	Tirante M16 x 1300
26	34403430	Tirante M16 x 1430
26	34403440	Tirante M16 x 1560
26	34403450	Tirante M16 x 1690
26	34403460	Tirante M16 x 1820
27	34504930	Dado alto M16
28	34504940	Molla
29	34505830	Barra filettata M12 x 130
30	35008000	Manopola strumenti cruscotto
31	35008010	Tappo copriforo centralina
32	35008190	Tappo copriforo
33	35008720	Coperchio cruscotto
34	35008910	Cruscotto
35	35100180	Guarnizione per flange
36	35320880	Isolante porta bruciatore
37	35352910	Guarnizione fibra ceramica
38	35352930	Disco Ø 44
39	36100440	Interruttore bipolare
40	36400250	Termometro
41	36401450	Termostato LS1 capillare 1500 110°

POS.	CODICE	DESCRIZIONE	7 el.	8 el.	9 el.	10 el.	11 el.	12 el.	13 el.	14 el.
42	36401880	Termostato regolazione 2 stadi
43	36401930	Pressostato acqua 1/4"
44	36503631	Pressacavo doppio
45	36505720	Rivetto di massa a 4 linguette
46	37038120	Fianco anteriore destro completo
47	37038130	Fianco anteriore sinistro completo
48	37038140	Fianco reversibile (L. 406)		.	.				.	
48	37038150	Fianco reversibile (L. 536)		
48	37038160	Fianco reversibile (L. 666)	.				.	.		
49	37038170	Pannello anteriore superiore
50	37038180	Pannello anteriore inferiore
51	37038190	Coperchio (L. 406)		.	.				.	
51	37038200	Coperchio (L. 536)		
51	37038210	Coperchio (L. 666)	.				.	.		
52	37038220	Coperchio anteriore
53	38007040	Camera fumo completa	.	.						
53	38007050	Camera fumo completa		
54	38007090	Porta bruciatore completa
55	38407600	Tubo diffusore "anteriore"
56	38407610	Tubazione diffusore Lg. 352,5	
57	38407620	Tubazione diffusore Lg. 482,5	
58	38443661	Tubo flangiato
59	38447631	Tubo flangiato + manicotto
60	38515050	Cablaggio completo	.	.	.					
60	38515020	Cablaggio completo			